

WEPM Hardware Interface

Dated January 24th 2010

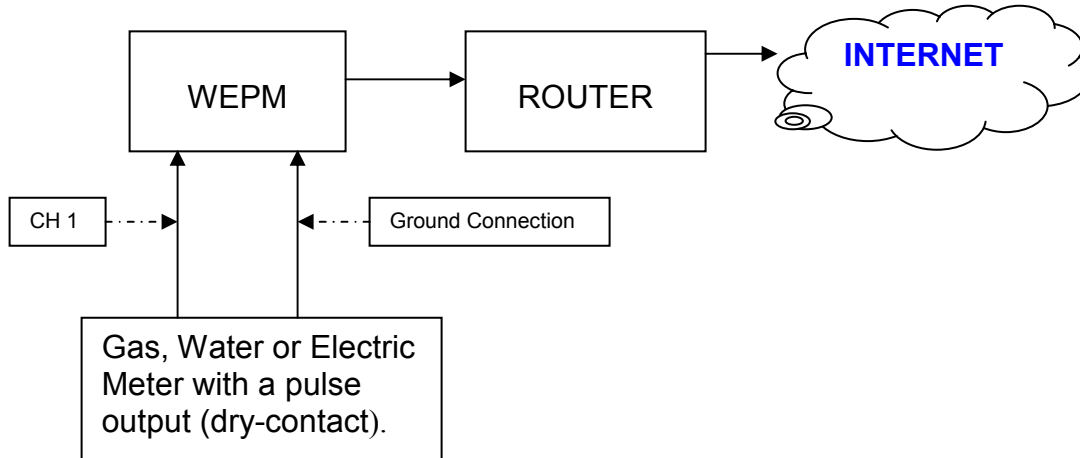
Updated: May 3rd 2010

By: Tech Support

General:

The physical interface to the web enabled pulse logger module (WEPM) is very straight forward. This device accepts a dry contact input (no voltage). Two wires will originate from the device that you want to track.

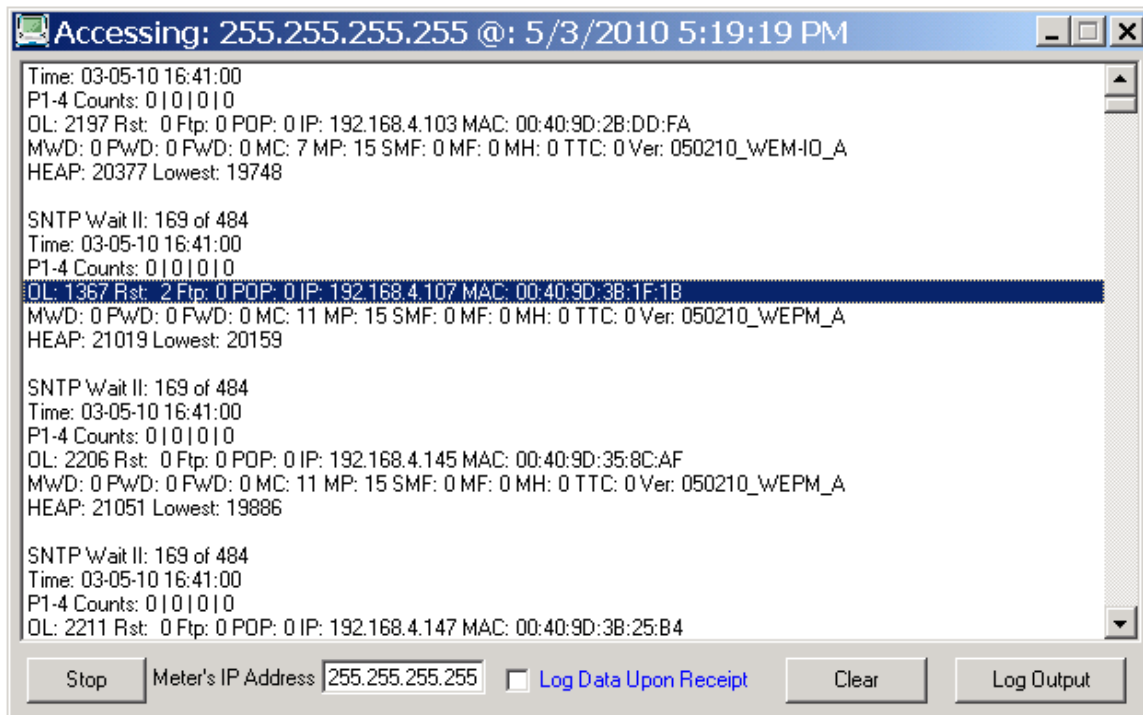
1. Connect one wire to Channel 1 input and the other to the ground (common) input.
2. Before powering up the device connect the WEPM's RJ-45 network jack to the router. Note: The router must be connected to the Internet so that the WEPM can get the latest time from the time servers on the Internet via SNTP.



3. Download and install the Discover IP Application from:

<http://www.energytracking.com/download.htm>

This application will provide minute-by-minute updates. Please refer to the WEPM manual for more details.

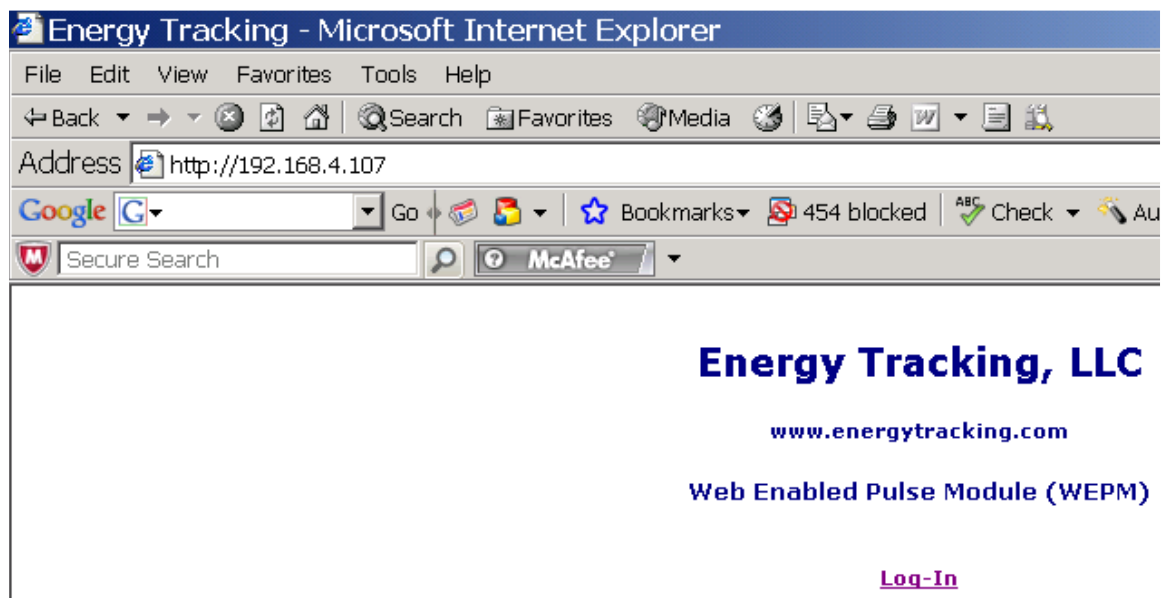


Get the IP address using the Discover IP application or log in to the router. The factory default setting is DHCP mode which automatically requests an IP address.

Log-In to the WEPM:

<http://xxx.xxx.xxx.xxx>

Please use MS Internet Explorer.



You should see the page shown below. Click on the **Log-In** link and an authentication pop-up dialog will appear.



Enter Network Password

Please type your user name and password.

Site: 192.168.4.108

Realm WEPM

User Name eM200

Password ***

Save this password in your password list

OK Cancel

User Name: eM200
Password: PW

Enter the default values above (case sensitive).

Post Log In:

Upon a successful log-in, you will see a menu to the left.

[Home](#)

[Load Profile 24 Hrs.](#)

[Load Profile Flash](#)

[SOAP Service](#)

[Setup](#)